

User Manual



Home Charger

Content

1	SAFETY AND WARNINGS	01
2	INTRODUCTION	02
2.1	Technical specifications	02
2.2	Overview	03
2.3	Package Contents	03
3	INSTALLATION	04
3.1	Installation Preparation	04
3.2	Mounting	04
3.3	Wiring	04
4	CONFIGURATION AND OPERATION	05
4.1	Power-on Checking	05
4.2	Charging Operation	05
5	TROUBLESHOOTING	06
5.1	Indicator Status	06
5.2	Fault Code and Resolution	07

1 SAFETY AND WARNINGS

Save these instructions. Read all instruction before installing or using the charger.

- 1) Keep the charger away from explosive or flammable materials, chemicals, vapors and other hazard objects.
- 2) Keep the charger socket clean and dry. If it gets dirty, please wipe it with clean dry cloth.
- 3) Touching the socket core is strictly forbidden when power on.
- 4) Do not use the charger in case of any device defects, crack, abrasion, bare leakage and so on. Please contact the professional personnel if any of these conditions occurs.
- 5) Do not attempt to disassemble, repair, refit the charger. If necessary, please contact the professional personnel. Improper operation will result in device damage, electric leakage, etc.
- 6) In case any abnormal condition happens, please cut off all input and output power supplies immediately.
- 7) Please protect charging carefully from rain and lightening.
- 8) Keep children away from the charger.
- 9) During charging, do not drive the EV. Charge only when the EV is stationary. For hybrid cars, charge only when the engine is switched off.
- 10) Our packaging materials are environmentally friendly and can be recycled. Please put the packaging in applicable containers to recycle it. Do not dispose of this device with the household waste. It should be taken to a suitable facility for recycling of electrical and electronic devices. For more detailed information about recycling of this device, please contact your local city/town council office or your household waste disposal service.



Warning



The input and output voltages of this device are high voltage, which threaten human life safety. Please strictly observe all warnings on the device and user manual. Unauthorized and non-professional service personnel are forbidden to remove the cover of this device.

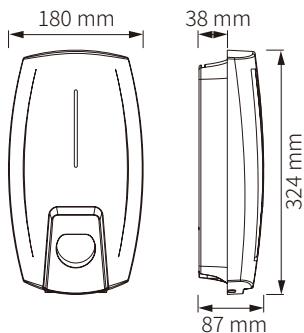
2 INTRODUCTION

2.1 Technical Specifications

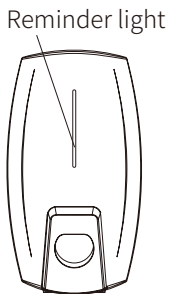
	Model	AC7000-AE-25
Input	Power Supply	Single-phase
	Rated Voltage	230V AC
	Rated Current	32A
	Frequency	50/60Hz
Output	Output Voltage	230V AC
	Maximum Current	32A
	Output Power	7kW
User Interface	Charging Outlet	Type 2 cable
	Cable Length	4m
	Housing Material	Plastic PC 940
	LED Indicator	Green/Yellow/Red
	RFID Reader	Mifare ISO/IEC 14443A with 2pcs
	Start Mode	Plug & Play/RFID card/ APP
Communication	Communication	Wi-Fi 2.4G
	Protocol	OCP1.6
	Frequency Bandwidth	2400-2483.5MHz (Wi-Fi) 13.553-13.567MHz (RFID)
	Max RF Output Power	<20dBm (-10dBW)
Safety	RCD	6mA DC
	Ingress Protection	IP65
	Impact Protection	IK10
	Electrical Protection	Over current protection, Residual current protection, Surge protection, Over/Under voltage protection, Over/Under frequency protection, Over temperature protection
	Certification	EN/IEC 61851-1: 2017, EN/IEC 61851-21-2: 2018, EN/IEC 61000-6-1:2019
	Warranty	2 years
Environment	Installation	Wall-mount/Floor-mount
	Working Temperature	-30°C ~ +50°C
	Working Humidity	5%~95%
	Work Altitude	<2000m
Package	Product Dimension	328.07*180.73*86.84 mm (H*W*D)
	Package Dimension	415*255*190 mm (L*W*H)
	Net Weight	2.8kg
	Gross Weight	3.3kg

2.2 Overview

Dimension drawing



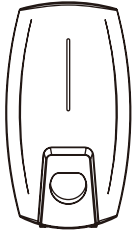




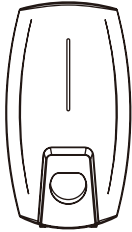


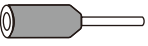

Front view



2.3 Package Contents

Unpack the product and check the contents of the packaging.

- Ensure that the charger is undamaged. If there is any breakage or other damage, please notify the seller immediately.
- Check type and quantity of all accessories as follows. If there is a shortage in the quantity of any item or if any items are missing, please contact the seller at once.

				
	User manual (x1)	Ø 6 Wall plug (x6)	M4x32 Screw (x6)	Installation paper (x1)
				
	M4 Hexagon wrench (x1)	Sealed cap (x1)	Insulated terminal (x3)	Cable holder (x1)

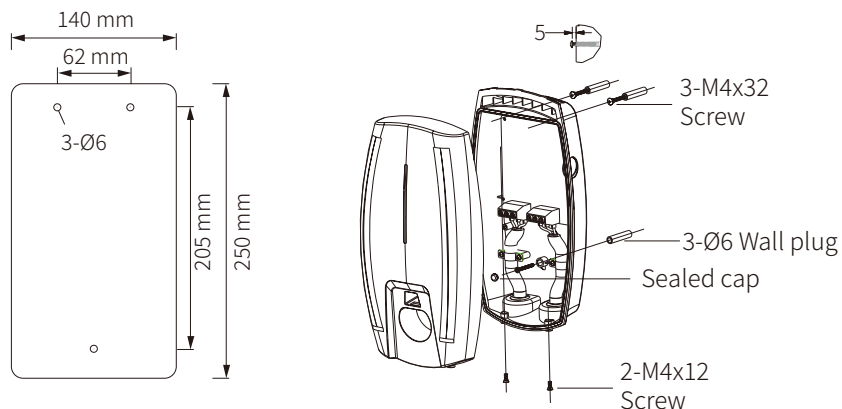
3 INSTALLATION

3.1 Installation Preparation

Installation Notice

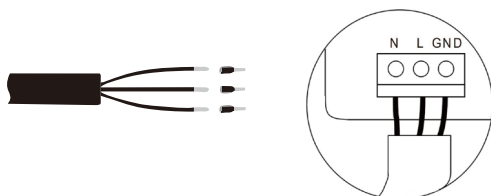
- Please obtain a single phase power supply cable. Quantity depend on actual requirement.
- RCD of the charger is integrated 6mA DC, please install a Type A or Type B breaker before the charging station.

3.2 Mounting



3.3 Wiring

1. Remove a length of 40 mm of the cable jacket and strip the wire insulation to a length of 8-15 mm.
2. Connect the conductors to the terminal block according to image below.



4 CONFIGURATION AND OPERATION

4.1 Poweron Checking

1) Checks before Power-on

Please check the following items prior to initial Power-on:

- Confirm the charger is installed properly
- No components or other items have been left on the top of the charger.

2) Power-on status checking

Power-on the charger, the LED indicator should be in standby status.

State	Description	LED Status
Standby	Power-on, but no gun plug-in	Flashing green, 1 second on; 3 seconds off
Ready to charge	Gun plugged in, but not yet started charging	Constantly yellow
Charging in progress	Gun plugged in, charging in progress	Pulsating green, 1 second on; 1 second off
Fault has occurred	An error has occurred; See Section 6 (Troubleshooting) for details	Flashing red or constantly red

3) Configure to internet

1. Download ChargeIn APP in APP Store/Google Play or scan the QR code.



2. Follow the steps in Charge In manual to configure the charger to the app.

4.2 Charging Operation

1) Connect the charger to electric vehicle

1. Plug the charging connector into the electric vehicle.
2. After plug-in, please check the connector is connected correctly and tightly.
3. When the connection is correctly established, the charger's LED indicator will be a flashing yellow light, which indicates that the charger is ready for charging

2) Start charging & stop charging

1. By RFID card: Using the RFID card to identify on the card reader.
2. Plug & Play mode: After plug in connector will begin charging, and will stop charging after plug out connector from car side.
3. By APP: Press 'Start' will begin charging, press 'Stop' will stop charging.

5 TROUBLESHOOTING

5.1 Indicator Status

State	Description LED	Status
In standby	Normal	Flashing green, 1S on, 4S off
Charging status	Normal	Pulsating green, 1S on, 1S off
Plugged gun state	Normal	Pulsating yellow, 1S on, 1S off
Software upgrade	Normal	Green light flash
Ground warning	Normal	Flashing yellow, 2S on, 2S off
Relay adhesion	Fault	Red light normally on
Input polarity reverse	Fault	Flashing red, 500ms on, 500ms off, 1 time, 3S off, Cycle
CP fault	Fault	Flashing red, 500ms on, 500ms off, 2 times, 3S off, Cycle
Leakage current fault	Fault	Flashing red, 500ms on, 500ms off, 3 times, 3S off, Cycle
Input terminal over-temperature	Fault	Flashing red, 500ms on, 500ms off, 4 times, 3S off, Cycle
Relay overtemperature	Fault	Flashing red, 500ms on, 500ms off, 5 times, 3S off, Cycle
Under voltage fault	Fault	Flashing red, 500ms on, 500ms off, 6 times, 3S off, Cycle
Over voltage fault	Fault	Flashing red, 500ms on, 500ms off, 7 times, 3S off, Cycle
Overload fault	Fault	Flashing red, 500ms on, 500ms off, 8 times, 3S off, Cycle
Over frequency fault	Fault	Flashing red, 500ms on, 500ms off, 9 times, 3S off, Cycle
Owe frequency fault	Fault	Flashing red, 500ms on, 500ms off, 10 times, 3S off, Cycle
Leakage current loop abnormal	Fault	Flashing red, 500ms on, 500ms off, 11 times, 3S off, Cycle

5.2 Fault Code and Resolution

Error Code	Problems	Possible Causes	Possible Solutions
OverVolt	Input over voltage	AC input voltage may be too high.	<ol style="list-style-type: none"> 1. Check the input voltage from the backend. 2. If the voltage is over 276V AC for a short time, wait until the power grid recovers to normal voltage range.
UnderVolt	Input lower voltage	AC input voltage may be too low.	<ol style="list-style-type: none"> 1. Check the input voltage from the backend. 2. If the voltage is under 184V AC for a short time, wait until the power grid recovers to normal voltage range.
OverCurr	Output overload	AC output current may be too large.	<ol style="list-style-type: none"> 1. Shut off the leakage current protection switch of power distribution cabinet immediately. 2. Check whether there is low resistance connection between AC output cables of the charger.
OverFreq	Input over frequency	AC input frequency may be too high.	<ol style="list-style-type: none"> 1. Check the input voltage frequency from the backend. 2. If the frequency exceeds 63Hz for a short time, wait until power grid recover to normal voltage range.
UnderFreq	Input lower frequency	AC input frequency may be too low.	<ol style="list-style-type: none"> 1. Check the input voltage frequency from the backend. 2. If the frequency is lower than 47Hz for short time, wait until power grid recover to normal voltage range.
OverTemp	Over temperature	Temperature may be too high inside the charger.	<ol style="list-style-type: none"> 1. Check the surrounding conditions of chargers installed whether there is heating device nearby. Make sure environmental temperature is under 60°C.
Over DCLeak	Over leakage current	Leakage current to the earth may be too high.	<ol style="list-style-type: none"> 1. Shut off the leakage current protection switch of power distribution cabinet immediately. 2. Check whether there is broken of AC output cables or low resistance connection to the earth.
PhaseError	Reverse connection	Reverse connection of L/N input cable.	<ol style="list-style-type: none"> 1. Shut off the leakage current protection switch of power distribution cabinet immediately. 2. Check if AC input/output cables are normal, and if inverse connection of L/N input cables.
CableRCErr	Charging cable connection abnormal	Poor connection of charging cable with EV/Charger.	<ol style="list-style-type: none"> 1. Check if charging cable connection is correct and firm

Note: If the above problems cannot be solved, please contact the seller.

